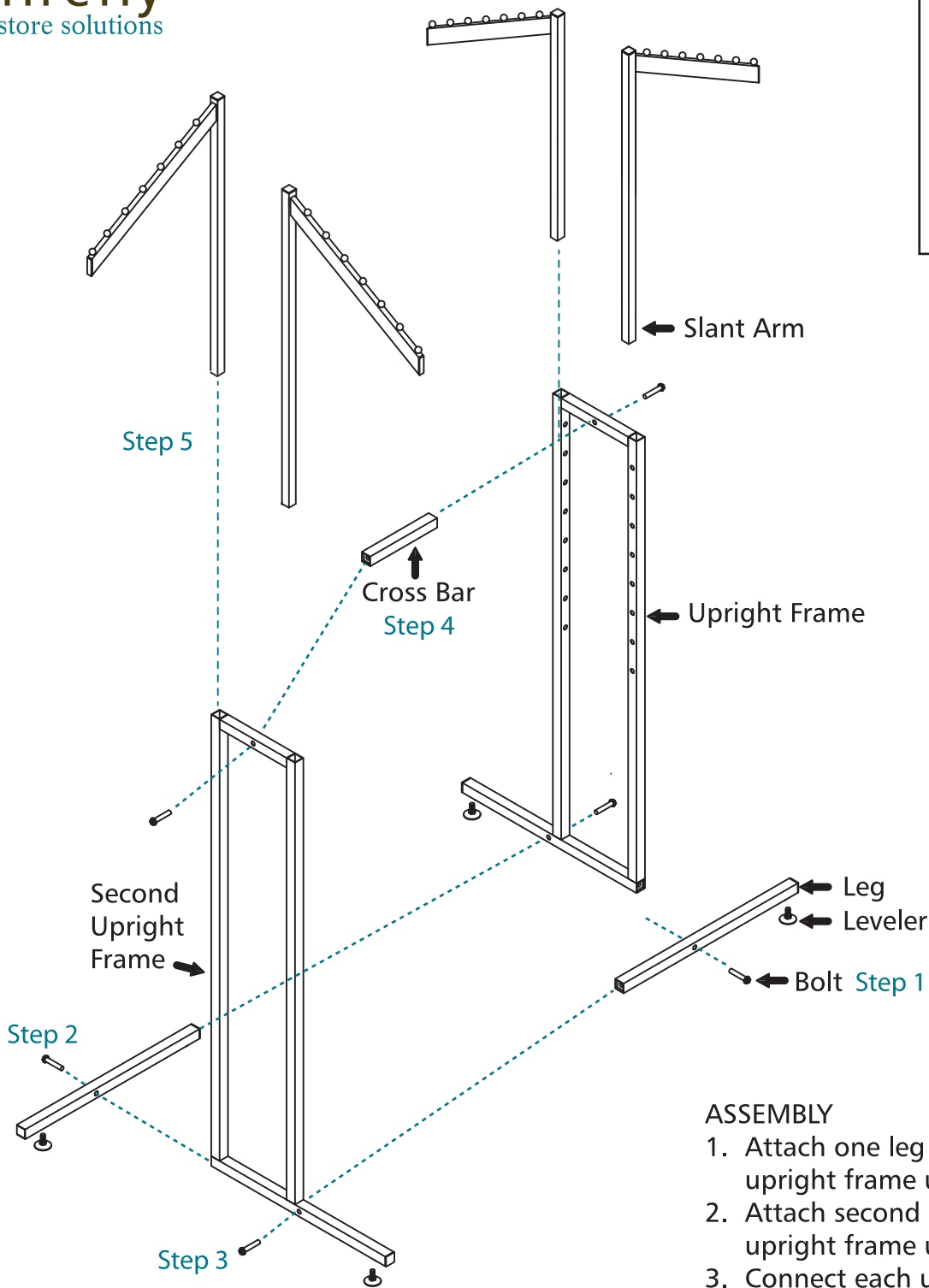




K-87B
ASSEMBLY INSTRUCTIONS

PART LIST:
4 Slant Arms
2 Upright Frames
1 Cross Bar
2 Legs
6 Bolts*
4 Levelers
*Bolts are screwed in place



ASSEMBLY

1. Attach one leg to the end of one upright frame using (1) bolt
2. Attach second leg to the end of second upright frame using (1) bolt
3. Connect each upright frame to end of legs using bolts
4. Connect both upright frames with (1) cross bar using (2) bolts
5. Insert slant arms in upright frame
6. Insert levelers