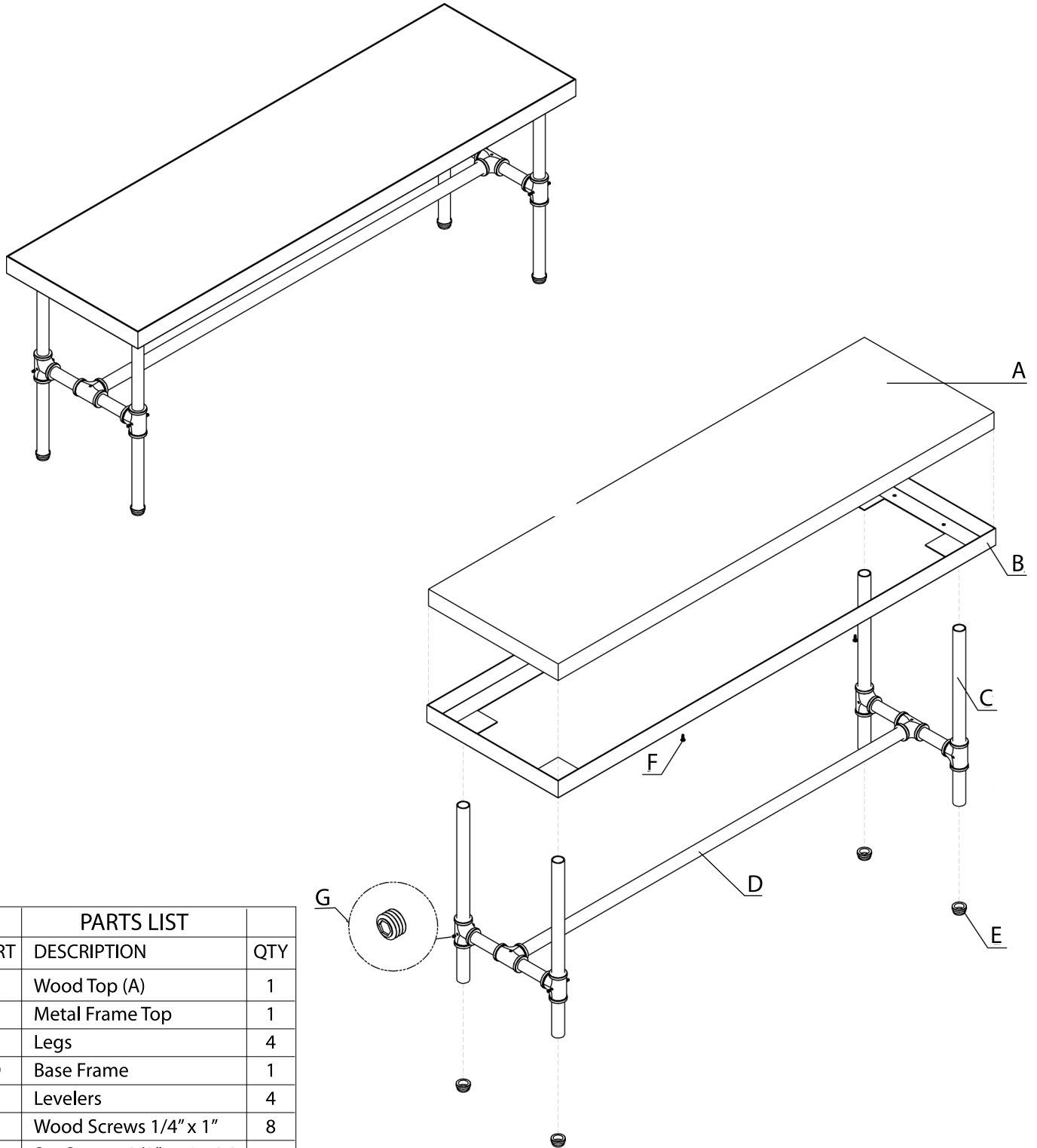


CTA2-045
ASSEMBLY INSTRUCTIONS



PARTS LIST		
PART	DESCRIPTION	QTY
A	Wood Top (A)	1
B	Metal Frame Top	1
C	Legs	4
D	Base Frame	1
E	Levelers	4
F	Wood Screws 1/4" x 1"	8
G	Set Screws 3/8" - 16 x 0.2 Pre-Installed	4