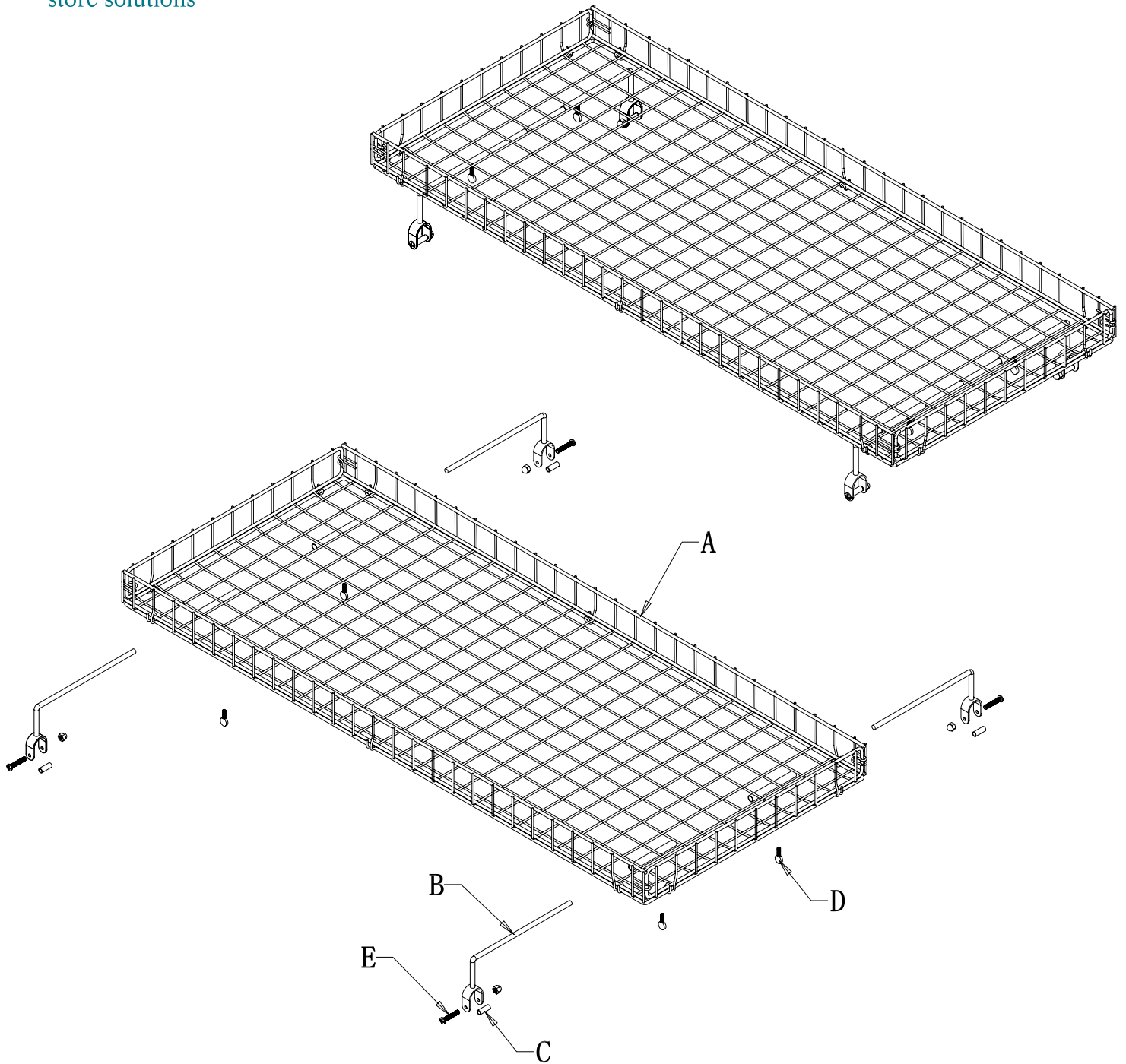


ASSEMBLY INSTRUCTIONS



PARTS LIST	
1	BASKET (A)
4	ARM (B)
4	ROUND TUBE (C)
4	$\frac{1}{4}$ "-20x $\frac{1}{2}$ " THUMB SCREW (D)
4	$\frac{1}{4}$ "-20x $\frac{1}{2}$ " SCREW (E)