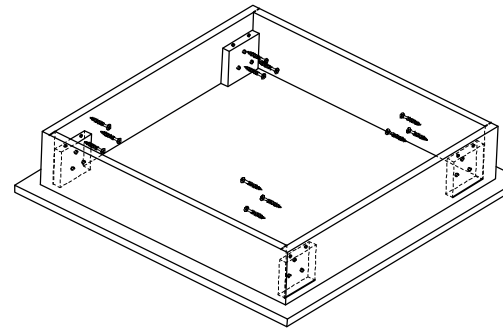
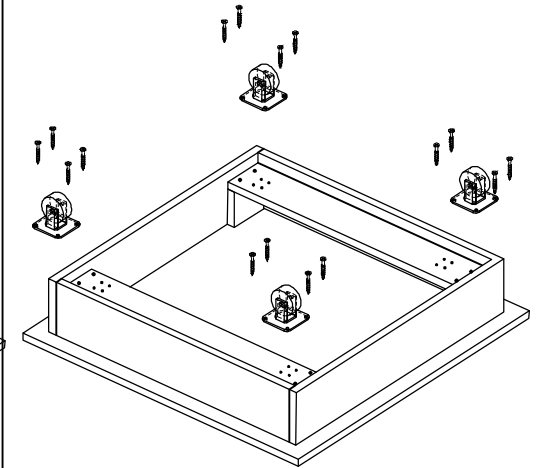


# FSS CAS ASSEMBLY INSTRUCTION



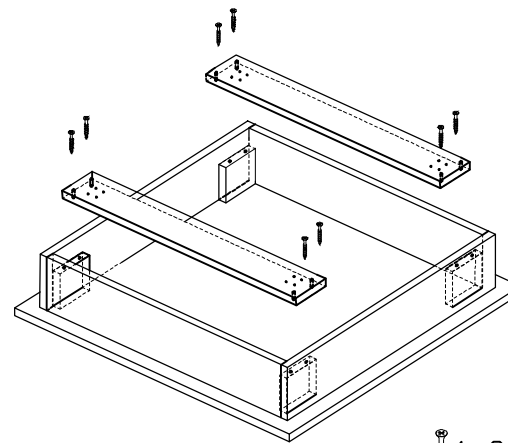
4\*30  
x12

①  
②



4\*15  
x16

③  
④



4\*30  
x8

